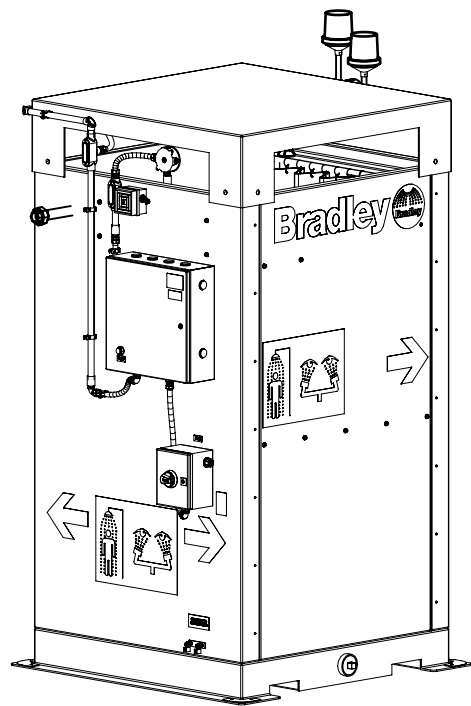
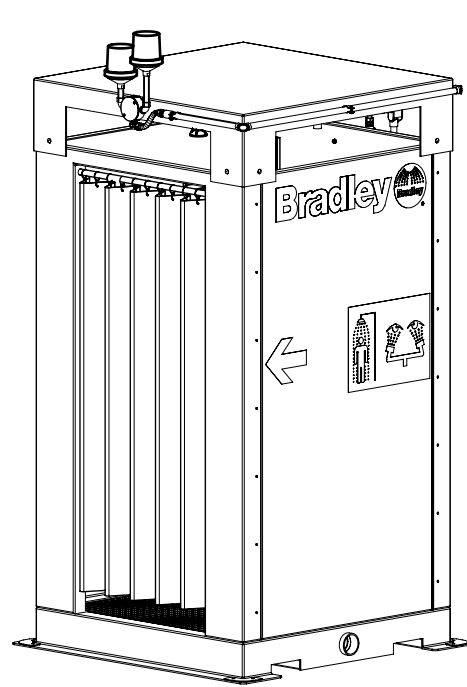


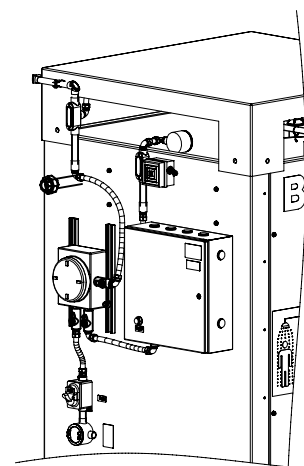
WITHOUT SIGNAL SYSTEM
GENERAL AREA SHOWN



CONTROL FOR SIGNAL SYSTEM ON BACK
GENERAL AREA SHOWN

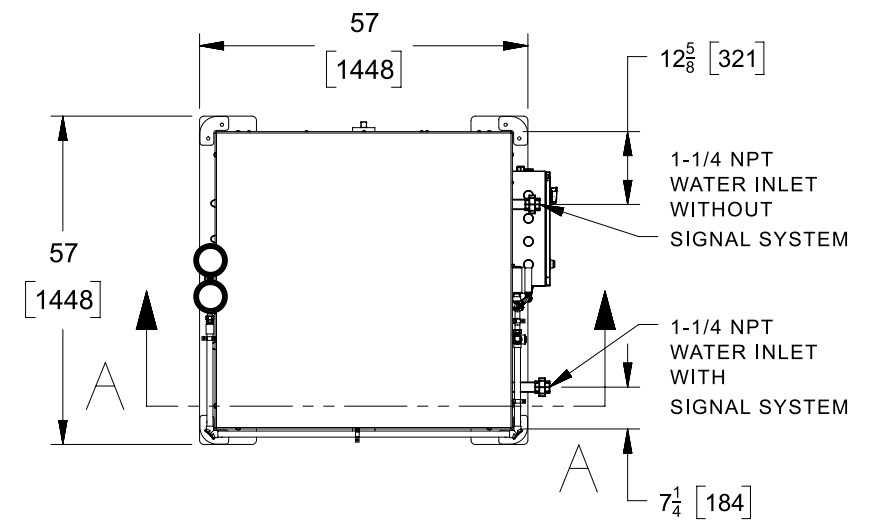
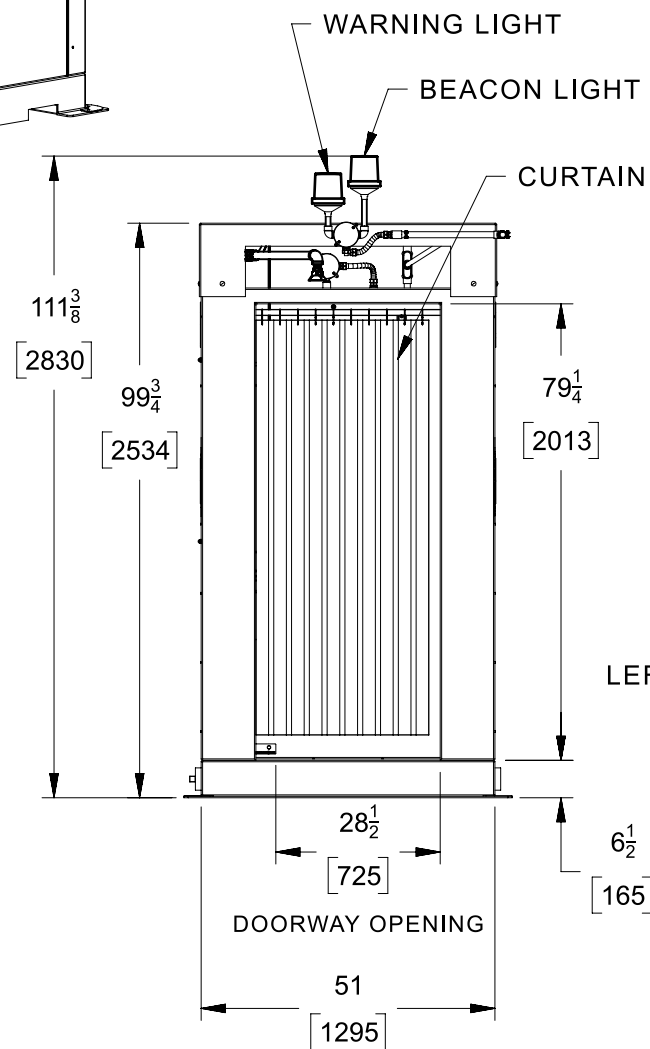


FRONT VIEW

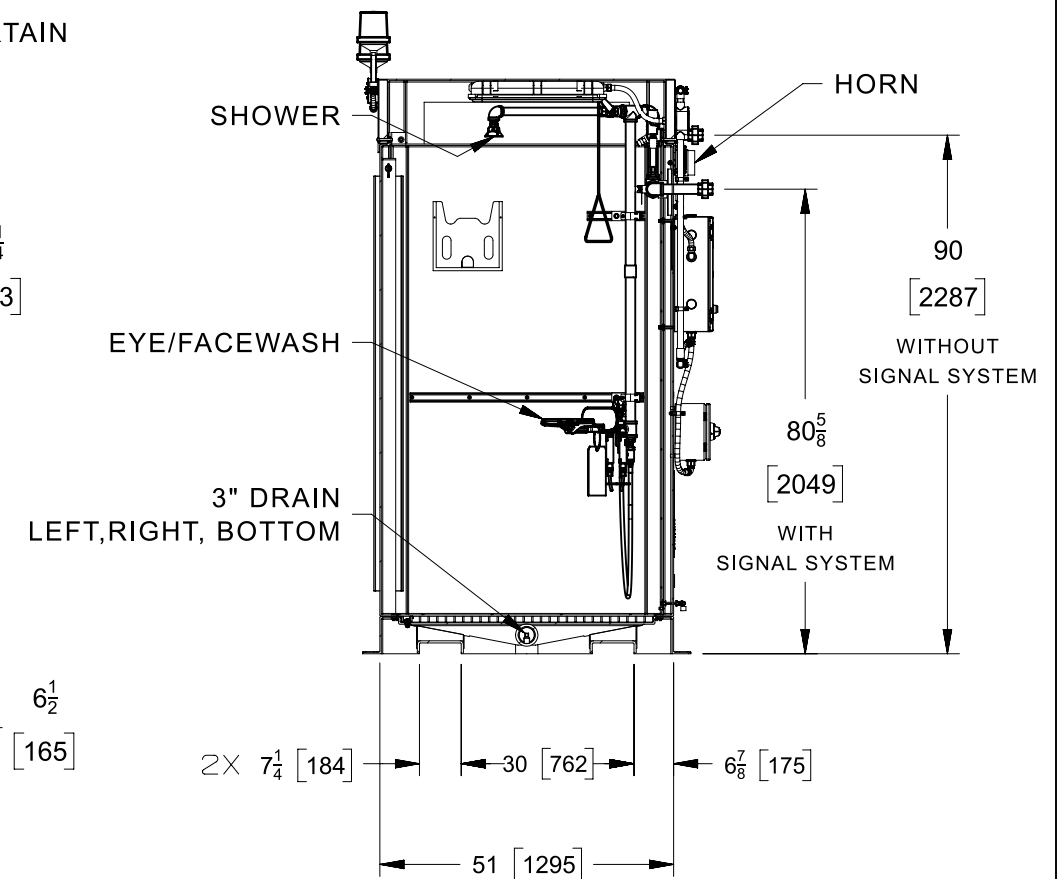


TYPICAL CONTROL
FOR CLASS I, DIVISION 2

CLASS I, DIVISION 1 NOT SHOWN



SECTION A - A



ENCLOSED INDOOR SAFETY SHOWER, S19372
WITH TEPID WATER PLUMBED SUPPLY



This print contains information that is PROPRIETARY. Disclosure of any information on this document cannot be made without written permission of Bradley Corporation

Approved for manufacturing

Signature _____ Date _____
Company _____ Title _____

| | | | | |
|-----------|--------------------|---------|--|----------------|
| By LPH | Issued 10/26/18 | Revised | Drawing No. TECH DATA - S19372 | Page 1 of 1 |
|-----------|--------------------|---------|--|----------------|

DIMENSION: inches [mm]