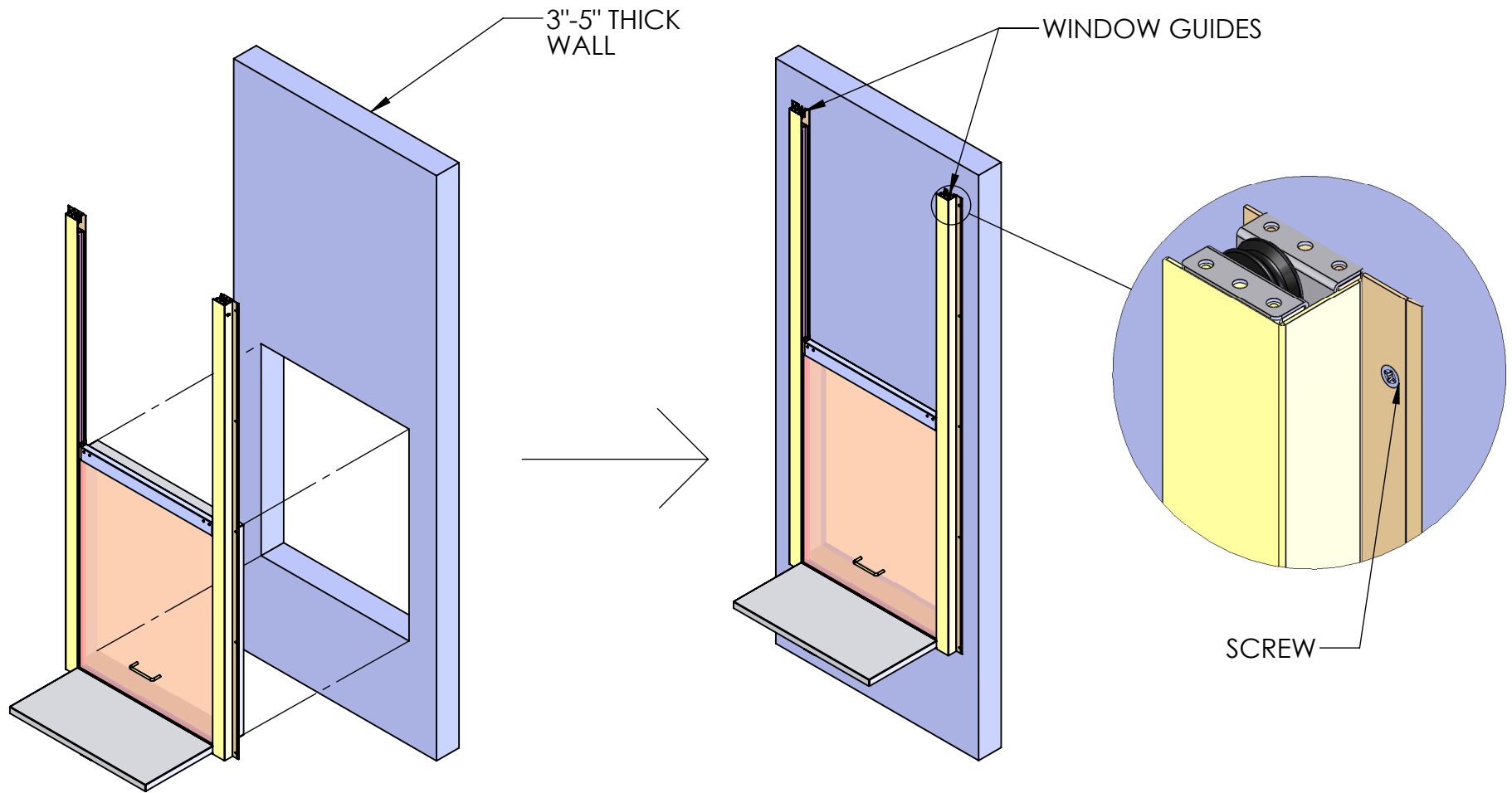

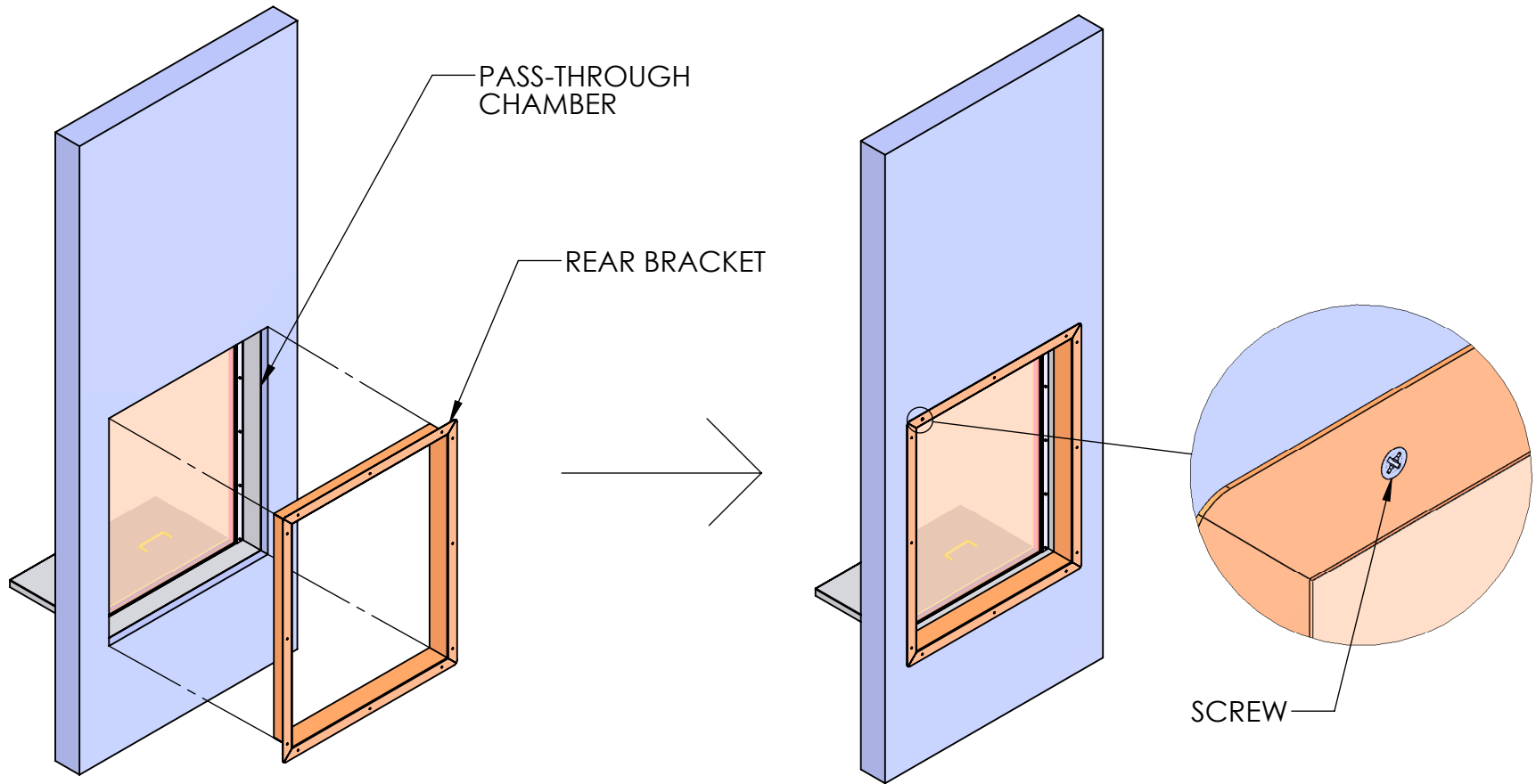


1. SLIDE PASS-THROUGH INTO THE WALL CUT-OUT. THEN SECURE PASS-THROUGH TO WALL BY DRILLING SCREWS INTO WALL THROUGH MOUNTING HOLES FOUND ON WINDOW GUIDES.



REVISIONS				MATERIAL SPEC.	FINISH SPEC.	UNLESS OTHERWISE SPECIFIED, DIMENSIONS ARE IN INCHES TOLERANCES ON:	 Terra Universal	TITLE	
RV#	DESCRIPTION	DATE	BY					A	1702-86 & 1702-87
NC	INITIAL RELEASE	6/24/19	DP			.XX DECIMALS ± .03 X' ± 1"	<small>PROPRIETARY & CONFIDENTIAL ALL RIGHTS RESERVED BY TERRA UNIVERSAL DISCLOSURE OR COPYING PROHIBITED</small>	SCALE	SHEET 1 OF 3
○						.XXX DECIMALS ± .010 X/X ± 1/64			
						SIGNATURES DATE			
						ISSUED BY: Dean Plichowski 6/24/19			
						REF # 95367			


2. AFTER PASS-THROUGH IS SECURED TO THE WALL, SLIDE THE REAR BRACKET INTO THE PASS THROUGH CHAMBER. SECURE THE REAR BRACKET TO THE WALL USING SCREWS.



REVISIONS			
RV#	DESCRIPTION	DATE	BY
NC	INITIAL RELEASE	6/24/19	DP

MATERIAL SPEC.	FINISH SPEC.

UNLESS OTHERWISE SPECIFIED, DIMENSIONS ARE IN INCHES	
TOLERANCES ON:	
.XX DECIMALS ± .03	X' ± 1"
.XXX DECIMALS ± .010	X/X ± 1/64
SIGNATURES	
ISSUED BY: Dean Plichowski	DATE: 6/24/19
REF # 95367	

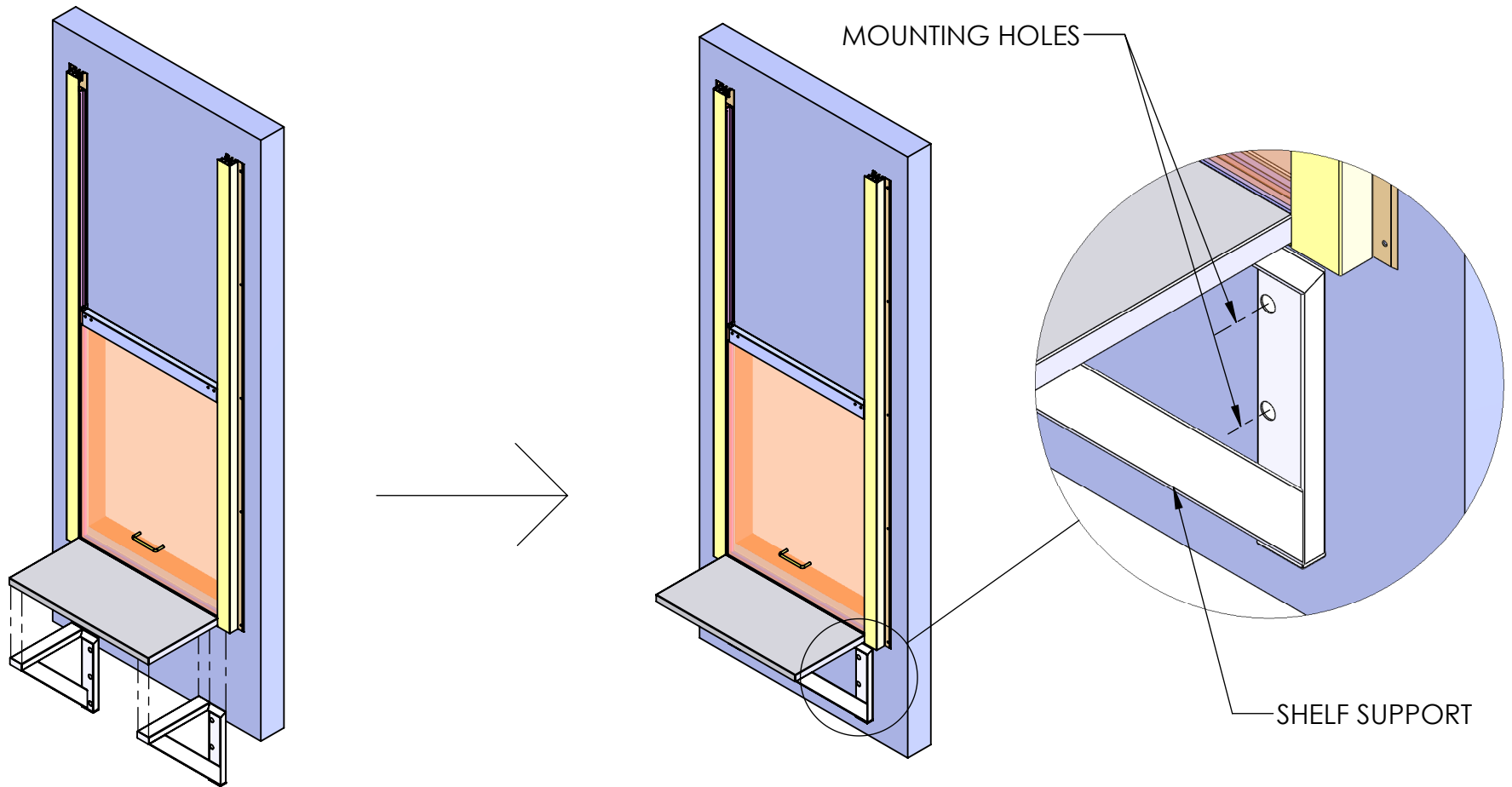


**Terra
Universal**

PROPRIETARY & CONFIDENTIAL
ALL RIGHTS RESERVED BY
TERRA UNIVERSAL
DISCLOSURE OR COPYING PROHIBITED

TITLE	
VERTICALLY SLIDING PASS-THROUGH INSTALLATION DIRECTIONS	
A	1702-86 & 1702-87
SCALE	SHEET 2 OF 3

3. TAKE THE SHELF SUPPORTS AND SLIDE THEM UP UNDERNEATH THE SHELF. THEN SECURE SHELF SUPPORTS TO THE WALL USING SCREWS THROUGH MOUNTING HOLES ON THE SHELF SUPPORT. MAKE SURE THE BACK OF THE SHELF SUPPORT IS FLUSH WITH THE WALL AND LEVELED.



REVISIONS			
RV#	DESCRIPTION	DATE	BY
NC	INITIAL RELEASE	6/24/19	DP
○			

MATERIAL SPEC.

FINISH SPEC.

UNLESS OTHERWISE SPECIFIED, DIMENSIONS ARE IN INCHES			
TOLERANCES ON:			
.XX	DECIMALS ± .03	X' ±	1"
.XXX	DECIMALS ± .010	X/X ±	1/64
SIGNATURES		DATE	
ISSUED BY: Dean Plichowski		6/24/19	
REF #	95367		



PROPRIETARY & CONFIDENTIAL
ALL RIGHTS RESERVED BY
TERRA UNIVERSAL
DISCLOSURE OR COPYING PROHIBITED

TITLE	
VERTICALLY SLIDING PASS-THROUGH INSTALLATION DIRECTIONS	
A	1702-86 & 1702-87
SCALE	SHEET 3 OF 3